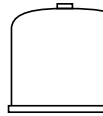
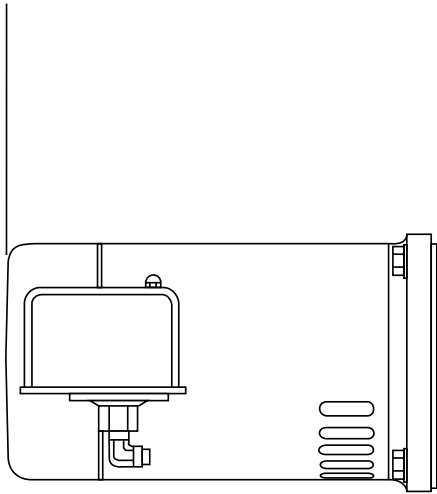


FL Series Pumps feature a proven self-priming “convertible” design. The same convertible jet can be attached to pump for use on shallow well installation, or be utilized in 4” or larger wells for use as a double pipe deep well jet.



FL Series Pumps provide high capacities up to 11 GPM...depths to 90 feet. They are rated for 30-50 PSI operation.





ings are unstable.

