

The SSJ Series Vertical Jet Pump is a  
 , the industry standard design, all jet  
 pump for the well  
 's built-in, all in one.

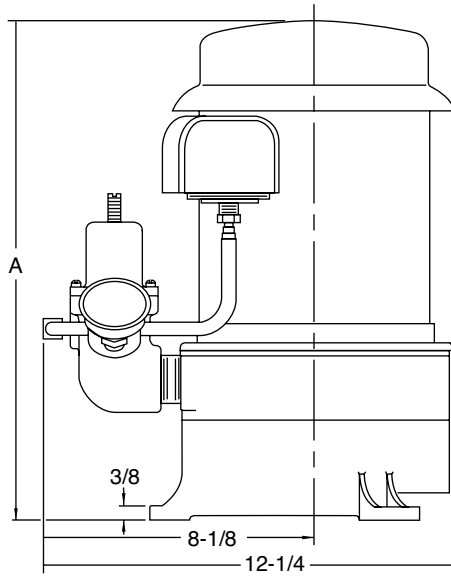
The SSJ Series Jet Pump includes the  
 - l mbedded, automatic  
 eg lator, the gauge, the  
 i ch, and a complete line of casing  
 ada, the die, the 4" double die  
 2" and 3" angle iron package.

#### APPLICATIONS

Water, oil, and inkling, etc.

#### SPECIFICATIONS

Body: 100% cast iron  
 Rated capacity: 10 GPM



# STA RITE™ SSJ Seie



## PUMP PERFORMANCE ( ) DEEP WELL (40 PSI) 2" SINGLE PIPE

